



Performance Solutions for Power Generation Applications



PERFORMANCE CARBON



CONTENTS

Power Up with Performance Carbon	02
Empowering Tomorrow: Morgan's Role in Power Generation	03
More Reliable Operation Performance	05
Our Portfolio	07
Our Focus	10

Power Up with Performance Carbon

Wherever power is produced, whatever type of cycle, Morgan Advanced Materials - Performance Carbon Division solutions are hard at work.

We provide powerful solutions that adhere to the most stringent quality and safety standards. Our high-quality products are designed to get you up and running quickly and keep you up and running. We are constantly innovating to deliver improved efficiency with an eye on emerging clean power generation technologies.

Choose Morgan For

- Reliable Power Solutions
- Commitment to Sustainable Solutions
- Customization & Advanced Technology



Empowering Tomorrow: Morgan's Role in Power Generation

Our commitment to the future of carbon technology is shown through our high-performing carbon products and specialty graphite applications. Morgan offers a larger portfolio of components for diverse power generation applications including

- Hydropower
- Nuclear Power
- Thermal Power (Steam/Gas Turbine)
- Wind Power (See our Wind Power brochure)



Steam/Gas Power Generation

As the leading supplier in the industry, let Morgan's diverse product range and global expertise provide customized solutions and advanced technology to maximize your operational performance.



Nuclear Power Generation

Nuclear Power Generation Discover Morgan's offerings for the nuclear energy sector, facilitating the production of clean and reliable power. Our solutions are integral to meeting the world's energy needs while prioritizing safety and sustainability in nuclear energy generation.



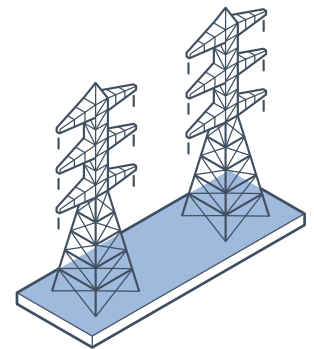
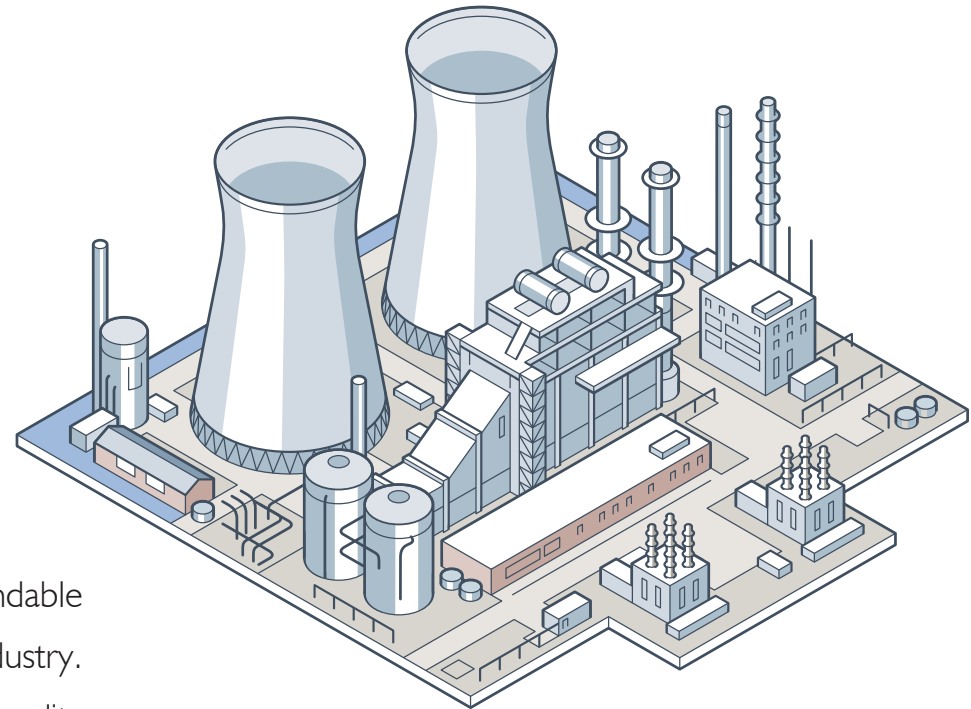
Hydropower Generation

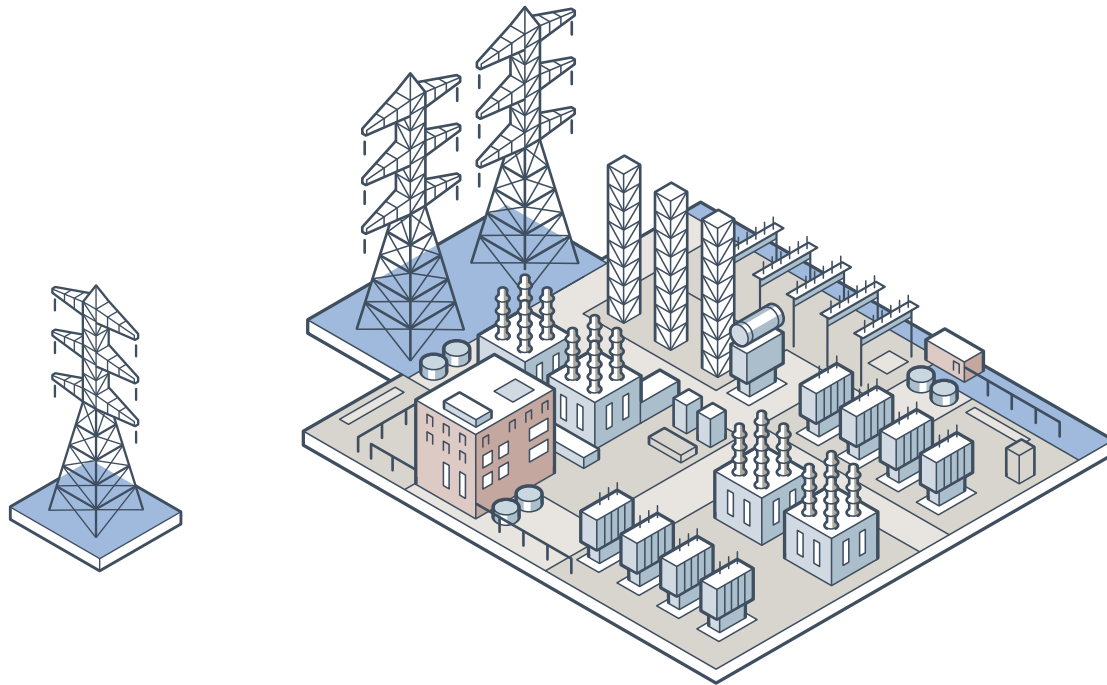
Morgan supplies essential products for the hydropower industry, enabling the harnessing of natural water flow to generate sustainable energy. Our solutions play a pivotal role in meeting global energy demands while prioritizing environmental sustainability.

More Reliable Operation Performance

At Morgan, we pride ourselves on delivering professional and dependable solutions tailored to the diverse needs of the power generation industry. With over 160 years of experience in material science, we offer high-quality components designed to enhance motor performance, extend battery cycle life, and reduce maintenance costs.

Our global teams are dedicated to understanding the unique requirements of every sector within the power generation industry. From special application carbon brushes and brush holders to seals, bearings, and carbon felt, Morgan supplies a comprehensive range of products designed to perform in various working conditions and environments.





Morgan's professional engineering services and production bases are all over the world.

Our products have a proven track record of reliability in the harshest environments.

Solutions designed with integration in mind, minimizing downtime and costly modifications.



Our Portfolio

CARBON BRUSHES

- Our flagship product, the **National 634 (also known as NCC634) brush**, sets the standard for turbo alternator applications
- Support stable patina formation, low friction, strong spark suppression and minimal wear differential between brushes
- Customized solutions to cater for different industrial characteristics and application conditions



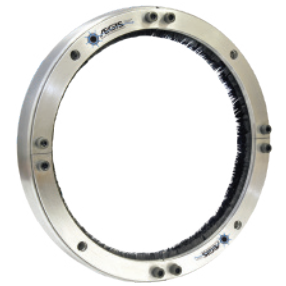
BRUSH HOLDERS

- Offers a variety of adaptable holder solutions
- Adaptability to fit a variety of motors and generators
- Multi-axis adjustments with easy replaceable spare parts and constant force spring.



AEGIS SGR™ SHAFT CURRENT GROUING SYSTEM

- The Aegis SGR™ shaft grounding system is used for diverting damaging shaft currents on frequency-controlled machines, thus protecting bearings and other sensitive components.

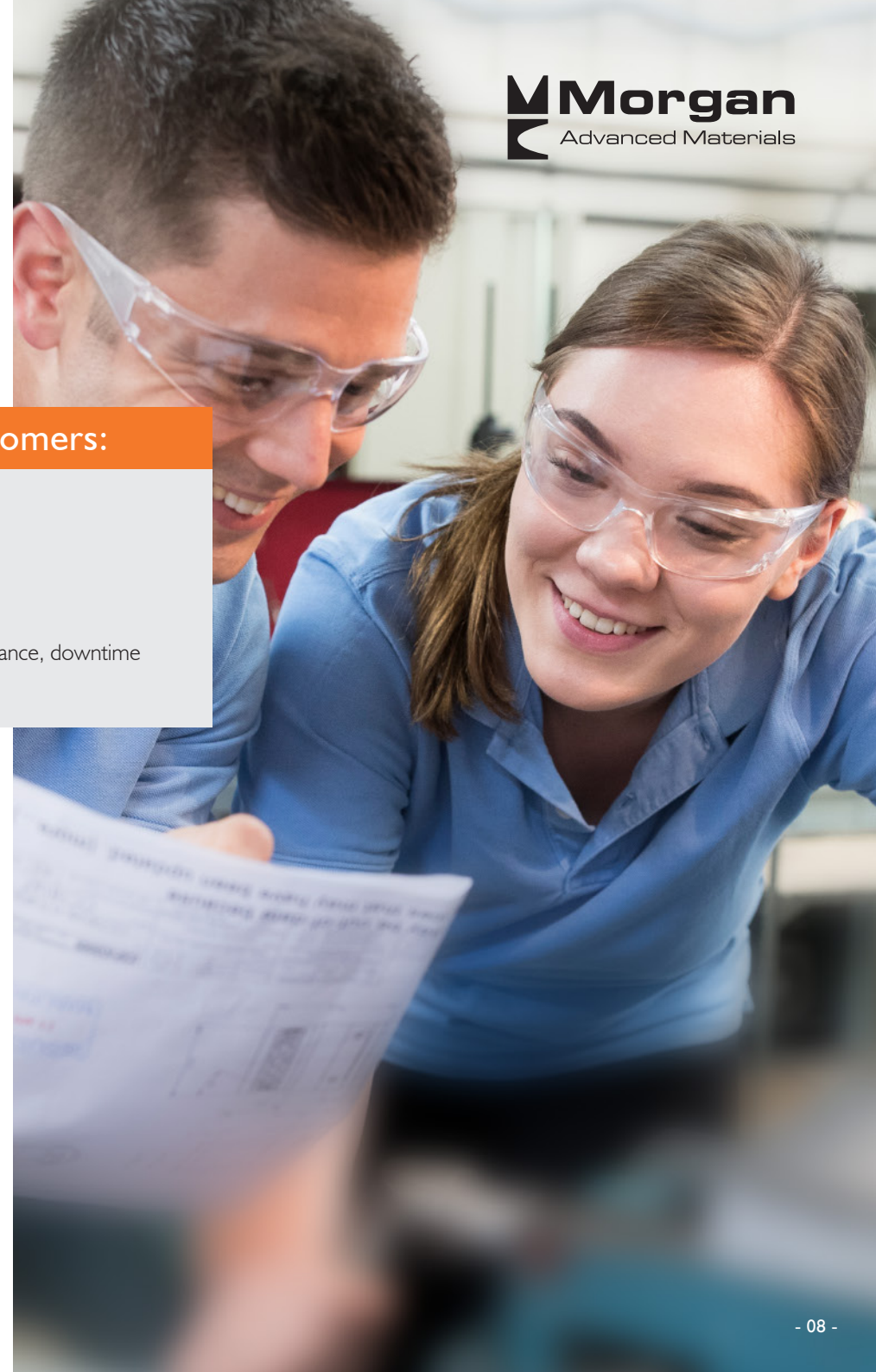


Main advantages:

- Advanced R&D and design capabilities
- Independent and complete overall production process
- Technical and application support of a global expert team
- Can be customized according to the specific needs of customers
- Different solutions and grade to cater for various complex working condition

Benefits to customers:

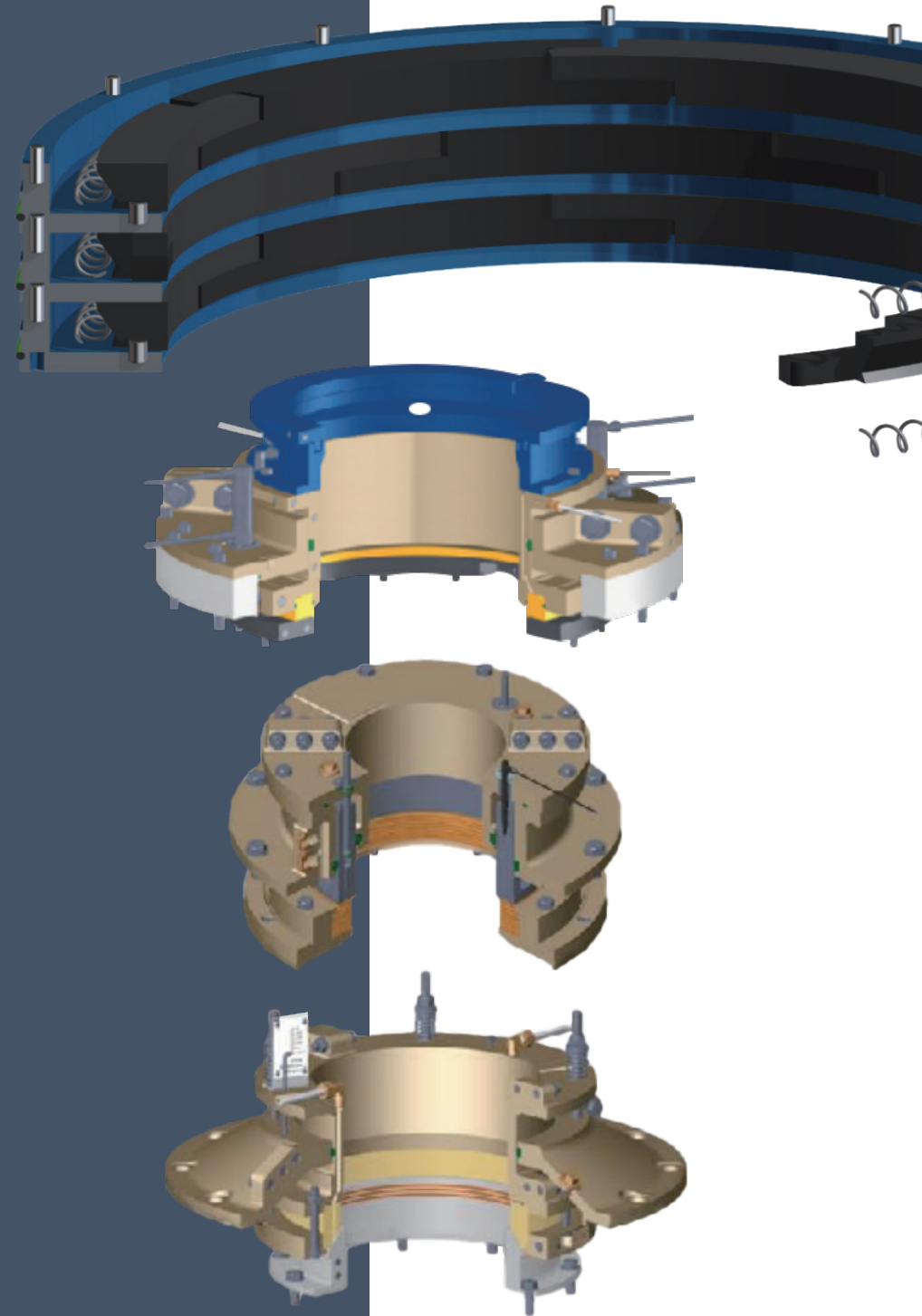
- A better overall solution
- Reliable performance
- Reduced repairs, maintenance, downtime



Our Portfolio

Why choose Morgan hydropower turbine seals ?

- Self-adjusting to provide constant sealing over the whole lifetime reducing maintenance costs and leakage rates.
- Multi segmented to allow for perfect individual alignment and ease of installation increasing lifetime of the seal and lowering installation costs.
- Self-lubricating, low friction and low wearing materials reducing running costs.





Our Focus

- Reliability
- Reduce maintenance costs
- Longer Life Components
- Delighting the Customer
- Big Positive Difference
- Optimization and Performance

We deliver products that help our customers
to solve technically challenging problems.

Get in touch with the Morgan team to learn more!



ABOUT MORGAN ADVANCED MATERIALS



Morgan Advanced Materials is a global engineering company offering world-leading competencies in materials science, specialist manufacturing and applications engineering. We focus our resources on the delivery of products that help our customers to solve technically challenging problems, enabling them to address global trends such as energy demand, advances in healthcare and environmental sustainability.

What differentiates us?

Advanced material science and processing capabilities. Extensive applications engineering experience
A strong history of innovation and reinvention. Consistent and reliable performance.
A truly global footprint. We find and invest in the best people.

For all enquiries, please contact our specialist sales and manufacturing sites:

UK

Upper Forest Way Swansea SA6 8PP UK
T +44 1792 763000
meclsales@morganplc.com

AMERICAS

251 Forrester Drive Greenville, SC 29607 US
T +1 800 395 7776
GvlIndustrialSales@morganplc.com

China

4250 Longwu Rd Shanghai 200241 China
T +86 (21) 6434 3350
chinasales@morganplc.com

Rest of Asia

150 Kg Ampat #05-06A KA Centre Singapore 368324
T +65 6595 0000
mcs@morganplc.com